

Bourdon Tube Pressure Gauge

Large Dial Aluminium Case

Model 556FZGP

Designed for applications where a large Dial is required, being 8" or 10" for distant reading, such as on top of boilers, etc.

Variants include an oil free pressure gauge clean for Oxygen duty with the dial marked accordingly.

Flush mounting versions are available with 3 Hole front fixing flange or the Instrument black bezel with rear clamp fixing duty with the dial marked accordingly.

Flush mounting versions are available with 3 Hole front fixing flange or the Instrument black bezel with rear clamp fixing.



Size

200mm (8") & 250mm (10")

Mounting

Direct, Surface and Flush (3 Hole or clamp)

Case & Bezel

Die Cast Aluminium Case, with a solid baffle partition wall and full blow out back. Powder coated brass bezel.

Scale Ranges

0 to 1 bar to 0 to 1400 bar Pressure
Equivalent units of pressure / vacuum available
Single and dual scales are available

Pressure Element

≤ 80 Bar – 316 Stainless Steel Bourdon Tube
≥ 81 Bar - 316 Stainless Steel Coil

Overload

Units withstands overload pressure up to 130% of FSD
Overload & vacuum stops are fitted on the movement
Option: Mechanical overload clamps fitted internally to enable units to withstand up to 3x the max scale reading

Pressure Connection in 316 Stainless Steel

3/8", 1/2" BSP
3/8", 1/2" NPT
Other connections available

Accuracy Class

CL:1 1.0% of FSD as defined in EN837-1
Option: 0.5% of FSD as defined in EN837-1

Temperature

Operating: -20 to +90 °C
Storage: -40 up to +100 °C
Options: for lower or higher operating temperatures

Temperature Effect

Variation in indication caused by temperature shall not exceed $\pm 0.04 \times (t_2 - t_1)\%$ of the span where:
t1 is the reference ambient temperature in degrees Celsius
t2 is the ambient temperature in degrees Celsius

Dial

White Anodised Aluminium marked in black finish
Single or dual scale

Pointer

Aluminium coloured black
Options: Micrometer adjustable pointer

Movement

Stainless Steel Construction
Option : Viscous Damped movement to overcome the effects of minor pressure pulsations

Window

3mm Laminated Safety Glass (Standard)
Option: Acrylic Plastic Window

Environmental Rating

IP68 as defined in EN 60 529

Traceability

All instruments are individually calibrated and have an unique Serial Number printed on the dial. A Certificate of conformity traceable to National Standards is supplied free of charge.

Certification Available

BS EN 10204 3.1B Material Certification
Point by point Certificate

Safety

All units are manufactured to comply with EN 837-1 and other regulatory standards including P.E.D.

Installation Instructions

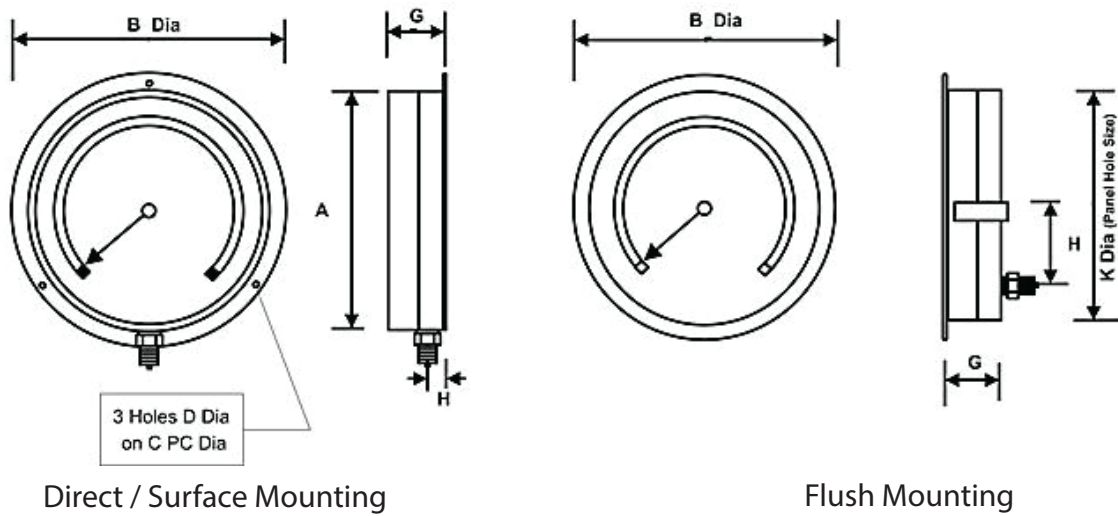
Refer to EN 837-2



Authorised Australian distributor for

 **Budenberg**

Dimensions



Model No	A	B	C	D	G	H	K	Weight
200mm 566FZGP Surface Mounting	207mm	235mm	221mm	5.3mm	61mm	24.4mm		2.3Kg
200mm 566ZGP Flush Mounting	225mm				90mm	80mm	215mm	2 Kg
250mm 555FZGP Surface Mounting	259mm	290mm	273mm	6.4mm	66mm	20mm		2.9 Kg
250mm 566ZGP Flush Mounting	283mm				90mm	80mm	270mm	2.3 Kg

Options

Case : Viscous Dampening
 Mounting : Flush mounting clamp fixing available (Except 63mm)
 Accuracy : 0.5% of FSD as defined in EN837-1
 Window : Acrylic Plastic Window
 Pointer : Micrometer adjustable Model 270
 Dials : Special sectors, Logos etc.

Accessories

For high temperature applications such as steam, see our range of syphons and adaptors. – See separate Datasheet.

We can supply Needle, Ball or 2 Valve manifolds for the Model 566FZGP – See separate Datasheet.

The manifolds in addition to allowing the instrument to operate normally allows the following: -

- a). Checking of gauge zero at line pressure.
- b). Complete isolation of the instrument.
- c). De-pressurisation of the instrument or controlled purging.
- d). Damping of pressure pulsations and surges.
- e). Inline calibration, allows in situation calibration

Specifications and dimensions in this leaflet, are subject to change without prior notice.

Authorised Australian distributor for
 **Budenberg**



Procon Instrument Technology
 1 / 119 Delta Street Geebung QLD4034
 07 3823 1922
 sales@proconit.com.au www.proconit.com.au